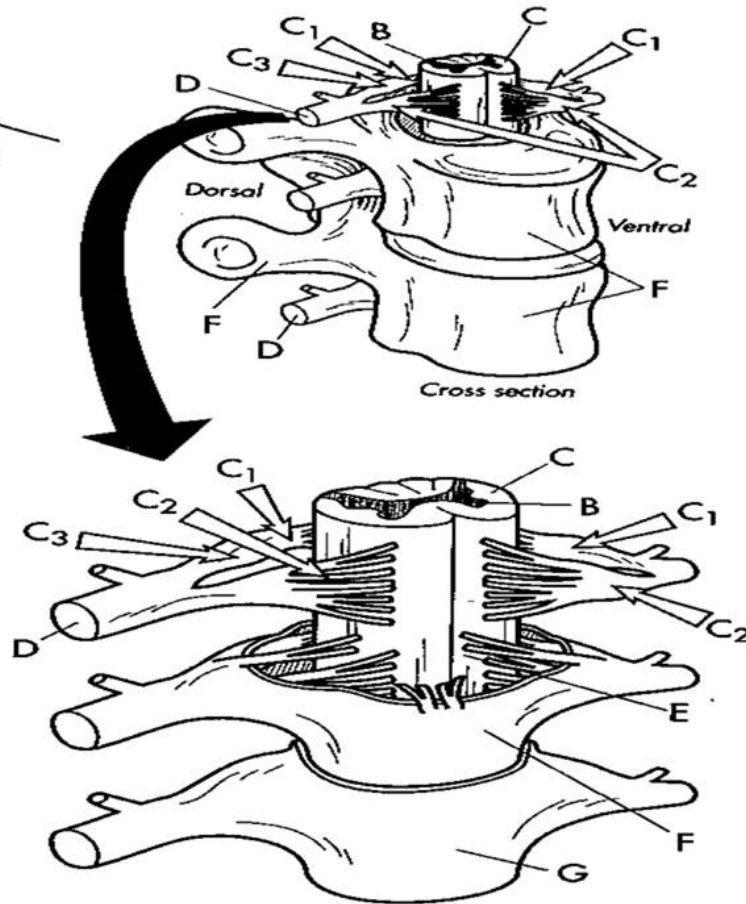
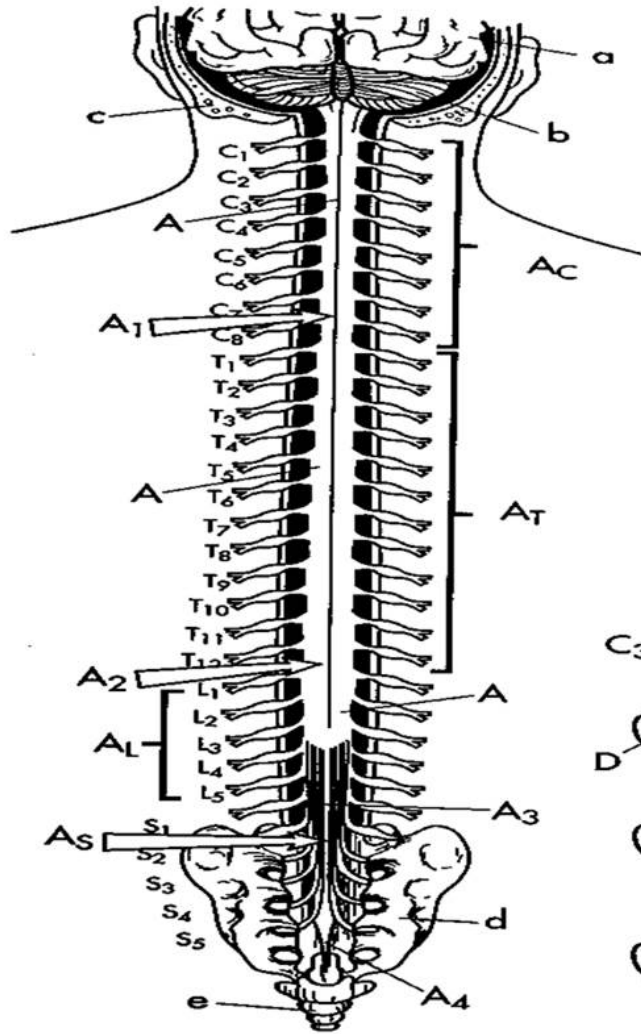


# ANATOMY OF THE SPINAL CORD



- Spinal cord                    A        ○
- Cervical enlargement        A1      ○○
- Lumbar enlargement        A2      ○○
- Conus medullaris            A3      ○○
- Filum terminalis             A4      ○○
- Cervical segment            AC      ○○
- Thoracic segment            AT      ○○
- Lumbar segment              AL      ○○
- Sacral segment               AS      ○

- Gray matter                    B        ○
- White matter                  C        ○○
- Dorsal root                    C1      ○○
- Ventral root                    C2      ○○
- Dorsal root ganglion        C3      ○○
- Spinal nerve                  D        ○○
- Pia mater                        E        ○○
- Arachnoid                        F        ○○
- Dura mater                        G        ○○
- Cerebrum                        a        ○○
- Cerebellum                      b        ○○
- Occipital bone                 c        ○○
- Sacrum                            d        ○○
- Coccyx                            e        ○