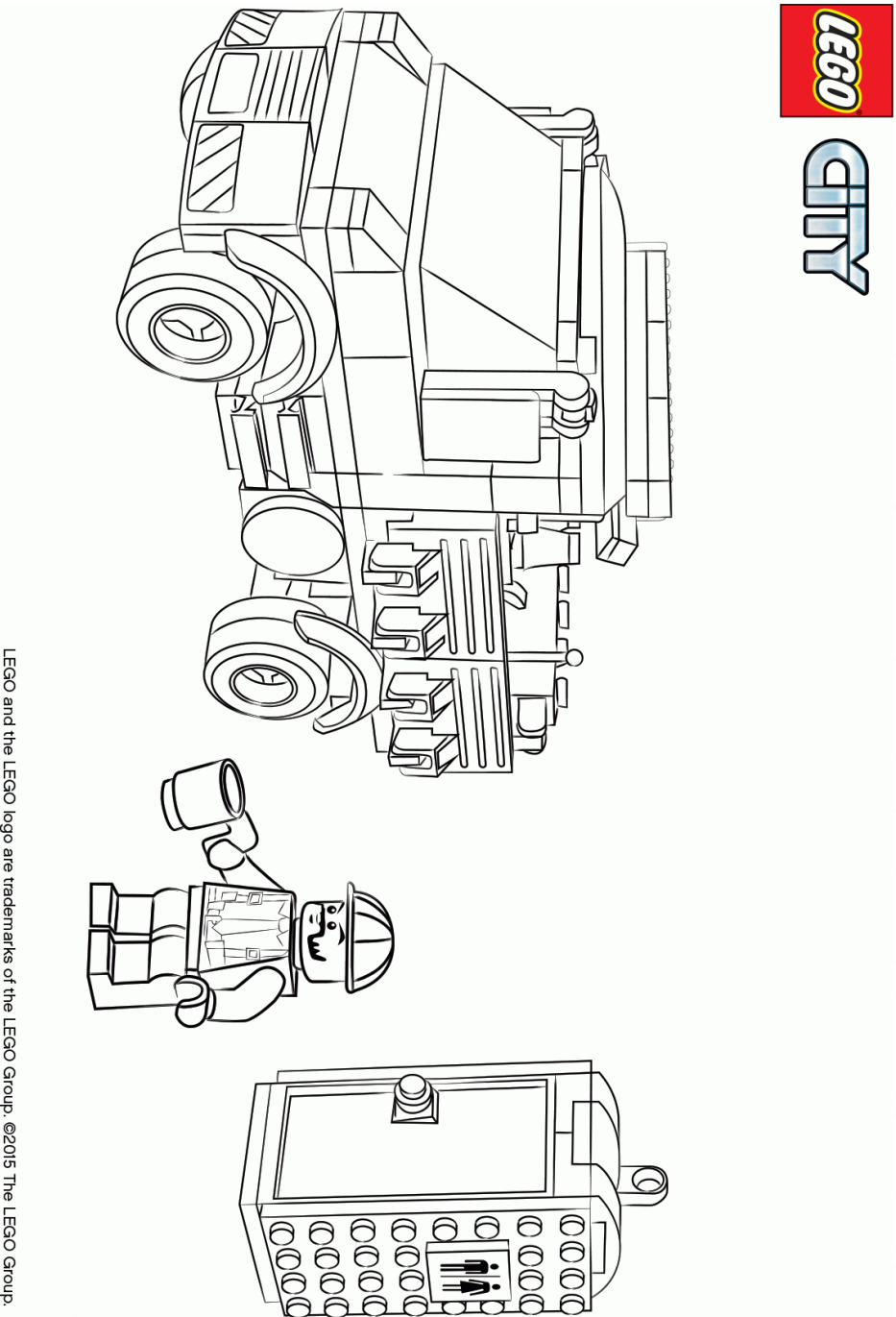




CITY



LEGO and the LEGO logo are trademarks of the LEGO Group. ©2015 The LEGO Group.