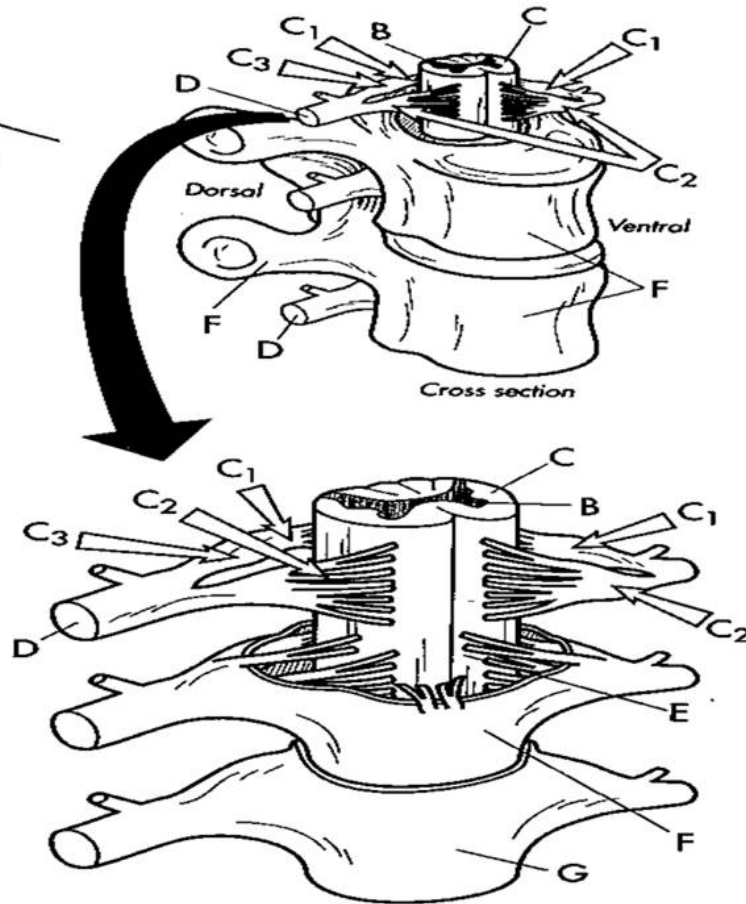
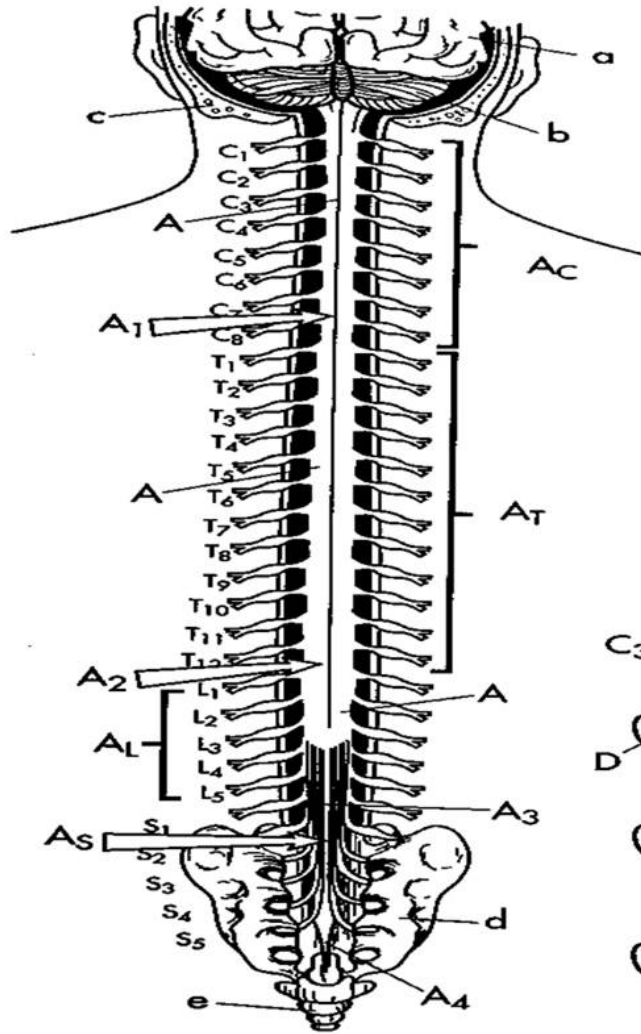


ANATOMY OF THE SPINAL CORD



- Spinal cord A ○
- Cervical enlargement A1 ○ ○
- Lumbar enlargement A2 ○ ○
- Conus medullaris A3 ○ ○
- Filum terminalis A4 ○ ○
- Cervical segment AC ○ ○
- Thoracic segment AT ○ ○
- Lumbar segment AL ○ ○
- Sacral segment AS ○

- Gray matter B ○
- White matter C ○ ○
- Dorsal root C1 ○ ○
- Ventral root C2 ○ ○
- Dorsal root ganglion C3 ○ ○
- Spinal nerve D ○ ○
- Pia mater E ○ ○
- Arachnoid F ○ ○
- Dura mater G ○ ○
- Cerebrum a ○ ○
- Cerebellum b ○ ○
- Occipital bone c ○ ○
- Sacrum d ○ ○
- Coccyx e ○