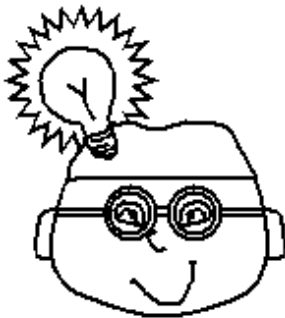


Name: _____

"art" Family: Draw a line to match the picture and the word.



cart



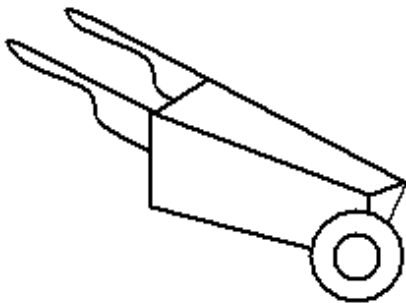
chart



dart



smart



tart