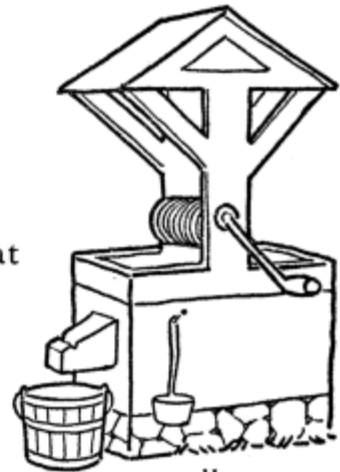


W



wheat



well

W



witch



wig

w



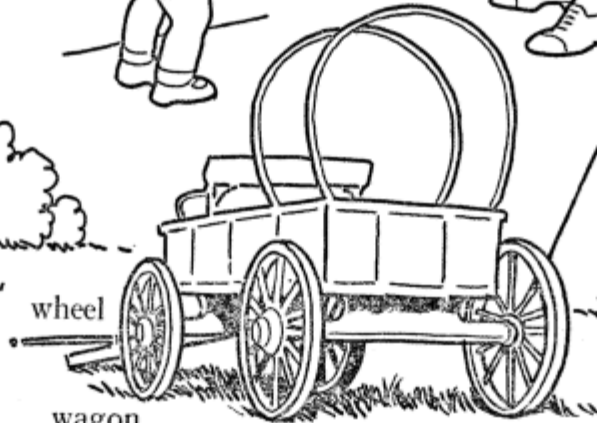
wave



wipe



wall



wagon



wigwam