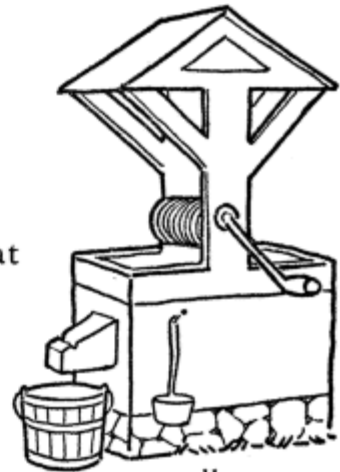


W



wheat



well

W



witch



wig

w



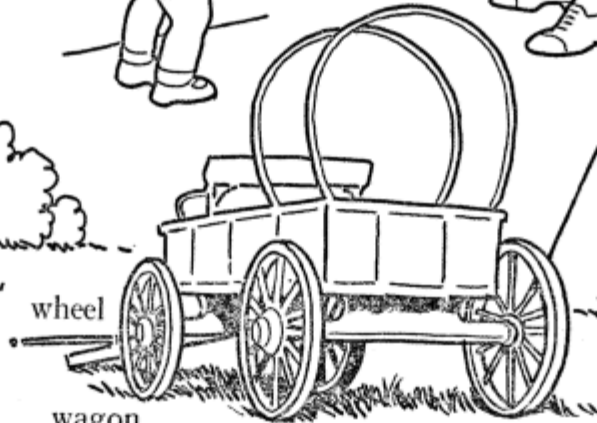
wave



wipe



wall



wheel

wagon



wigwam